



1.-TECHNICAL DATA SHEET

I. DESCRIPTION

Spicy hot sauce produced with natural "Chipotle" hot pepper and condiment. It is recommended for appetizers, pizzas, seafood, meat, drinks, among others.

II. MANUFACTURER

a) Name:

Pepe Picante S.A. De C. V.

b) Address

5 de mayo No 58 Col. San Pablo Xochimehuacán , Puebla , Pue C. P. 72014
Mexico

c) Contact

- Outside sales
Pedro Delgado
Tel. Oficina 52(222) 2887429
Fax. 52(222) 2887430
e-mail pepicante@prodiqy.net.mx
e-mail pedro@salsa21.com

III. SPECIFICACIONES

a) Physical-chemicals

- Density : 1.029 +/- 0.0013
- PH: 3.92 +/- 0.015

b) Microbiologicals

- Bacteria: 3,000 Maximum
- Fungus: < 10
- Yeast < 10
- Coliform total: < 10

c) Organoleptic characteristics



- Color: $\lambda = 420\text{nm}$ Trans: 3.8- 4.2
Abs : 1.37-1.44
- Odor: characteristic
- Taste: characteristic
- Consistency Viscous liquid with small solid fragments

d) Nutrition facts

Nutrition Facts	
For 100g.	
Energy	2 kJ (0.5 kcal)
Total fat	0 g
From which:	
Not poly-saturated	0 g
Not mono-saturated	0 g
Saturated	0 g
Cholesterol	0 mg
Sodium	45 mg
Total carbohydrates (Carbon hydrates)	0.12 g
Protein	0.7 g

e) Ingredients:

Water, vinegar, peppers, Chipotle peppers, salt, species, Xhantana gum, 0.1 Sodium benzoate as preserving vehicle

f) Life at retail shelf :

18 months after bottling

g) Warehousing requirements:

Keep in a dry and fresh place

h) Display conditions:

Display product in a dry and fresh place avoiding direct contact with the sunlight

i) Use of the product :

Pastas, Pizzas, Appetizers, Meat, Fish, Pork, Seafood, Hot Dogs, Hamburgers, Fruits, Drinks, Tacos, among others



IV. Certificate:

NOM -120-SSA1-1994
 NOM –130-SSA1-1995

V. Main package (bottle)

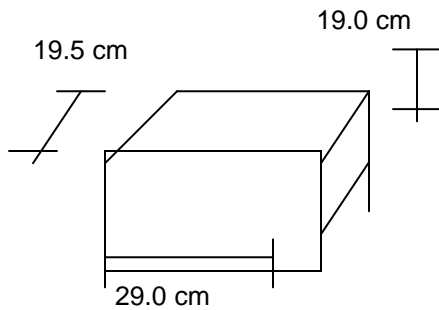
* Color Natural (11)
 *Capacity: 150 ml
 *Weight 125 gr
 *Crown: 15-415

VI. Packaging

a) Material

Cardboard: Simple
 Resistance: Simple 7/9

Box Type: Semi Kraft
 Overlap : 0.00



* Capacity 24 bottles
 * Separator 6 x3 semi Kraft paper
 * Printing: 1 ink indicates capacity and type of packaging
 * Glued : Scotch
 * Gross weight : 7.310 kg +/-2.5

VII. Packing

- a) Boxes per pallet 17
- b) Beds per pallet 8
- c) Pallet Standard 1x1.2
- d) Bottles per pallet 3264



2.- PRICE:

TO BE QUOTED AS PER EXPORT COUNTRY

3.- TARIFF CODE :

Chipotle Hot sauce 210390

4.- DELIVERY TIME:

3 X 20 FT CONTAINER PER MONTH